



EURO-NORM Collapsible Containers



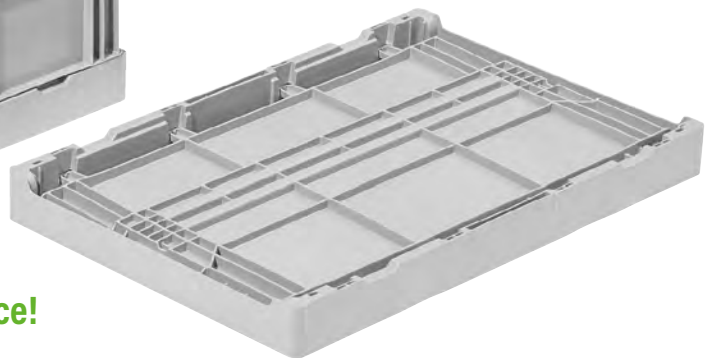
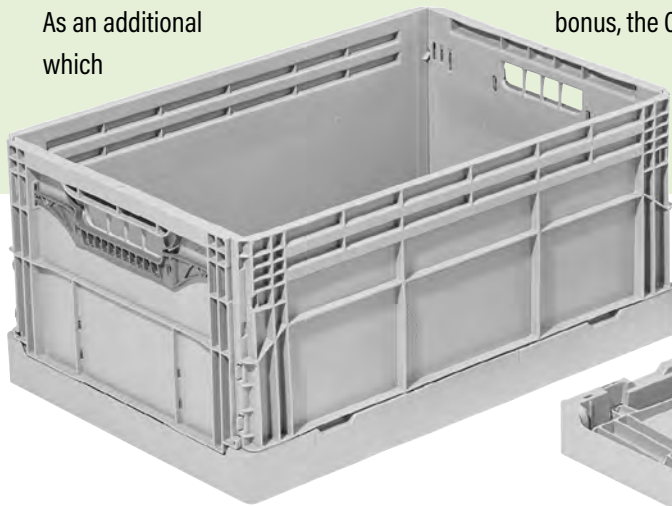


The Clever Way Logistics Works!

The Clever-Retail-Box shows just how efficient logistics works. It offers volume reduction of around 80 % when empty. The tried and tested lift lock makes the box particularly user friendly and enables fully automatic handling.

To suit individual requirements in the field of warehouse technology, the box is available with three different bases. As an additional bonus, the Clever-Retail-Box has an attachable RFID card system which

has been patented by bekuplast and is used for identifying and tracing your containers.

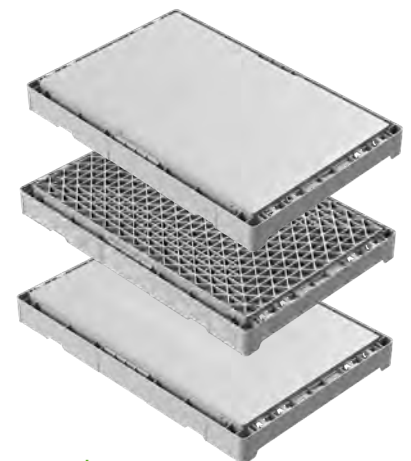


Clever-Retail-Box - Plus Points at a Glance!

- + up to 80 % volume reduction
- + easy handling as a result of the patented lift lock
- + suitable for automated handling
- + sidewall stability allows for a high stacking load
- + handle with a grid and optional sealing for securing goods
- + integrated compartment for securely fixing RFID plug-in cards

Clever-Retail-Box - Available with Three Different Bases!

	Load Capacity up to	Article No.
smooth base	20 kg	xxxx/xx03xx
miniload base	35 kg	xxxx/xx25xx
sandwich base	50 kg	xxxx/xx39xx



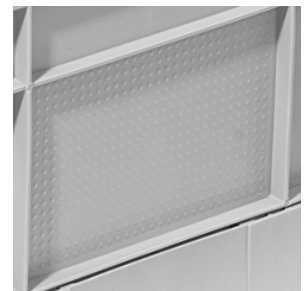
Lift-Lock-Verschluss



Plugged-in RFID Cards

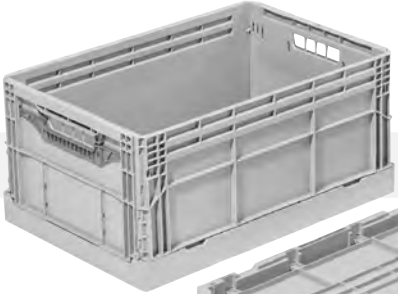


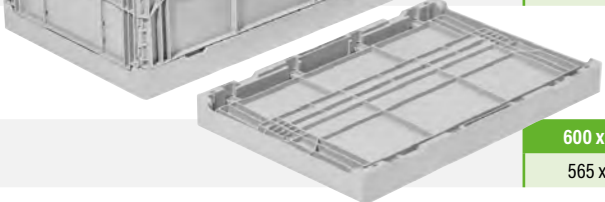
Sturdy Corner Design



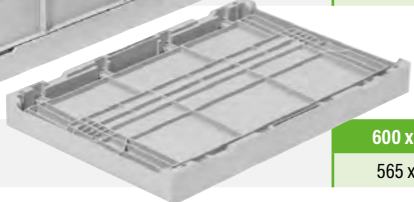
Studded Area




	Outer Dimensions (in mm)	Collapsed Height (in mm)	Volume	Weight	Article No.
	Inner Dimensions (in mm)				

	600 x 400 x 285	55	56 l	2,900 g	2700/002500
	565 x 365 x 275				

With a miniload base


	600 x 400 x 285	55	56 l	3,080 g	2700/003900
	565 x 365 x 275				

With a sandwich base

	600 x 400 x 400	75	80 l	3,310 g	4010/005500
	568 x 365 x 387				

With a miniload base

Clever-Retail-Box with a Hinged Lid

	600 x 400 x 400	75	80 l	3,700 g	4011/000314
	568 x 365 x 380				

With a smooth base

Accessories for Hinged Lid

Article No.



Seal

ZUAG0001PL0-000



Cleverly Packed, Clever in Terms of Implementation!

The Clever-Move-Box is a universal box. It is best suited for transporting valuable goods and goods which require additional protection. The goods are optimally protected as a result of a sturdy box design and can be secured against theft with an additional seal.

With the patented Clever Box lock, the boxes can be simply folded up, either manually or fully automatically.



Clever-Move-Box - Plus Points at a Glance!

- + fixed hinged lid connected with the box
- + available with ergonomic mesh 'hand barrel' grips or optionally with closed handles
- + suitable for mechanical handling and for use on roller conveyors
- + simple handling as a result of the patented Clever Box lock
- + very high stacking load (up to 400 kg)
- + long service life
- + volume reduction of around 80 %





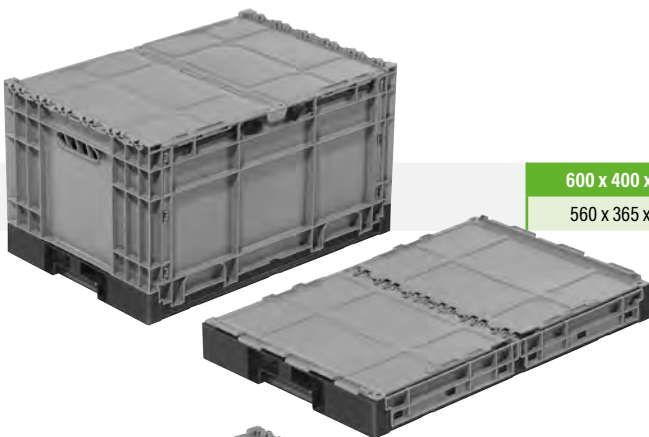
Outer Dimensions (in mm)	Collapsed Height (in mm)	Volume	Weight	Article No.
Inner Dimensions (in mm)				

400 x 300 mm

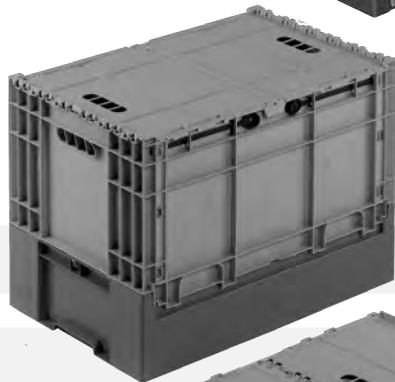


400 x 300 x 240	65	21 l	1,660 g	H-3424/000300
364 x 265 x 220				

600 x 400 mm



600 x 400 x 340	70	68.5 l	3,500 g	H-3301/000300
560 x 365 x 325				



600 x 400 x 393	121	87 l	4,250 g	H-3902/000300
558 x 366 x 380				



600 x 400 x 440	168	87 l	4,220 g	H-3905/000300
558 x 366 x 425				



		Seal		H-W 9PLOMBEN
--	--	------	--	--------------



The Series of Containers for Efficient Fresh Logistics!

The 'Clever-Fresh-Box advance' series of containers has been specially developed for reusable transport logistics related to fresh products. In a collapsed state, the new 'Clever-Fresh-Box advance' offers a volume reduction of around 84 % and as a result of this, is particularly space and cost efficient when it comes to return transport.

As a result of the indented corner and base design, the containers are extremely stable and very easy to stack. In order that fruit and vegetables are not damaged during transport, the perforated side walls are particularly smooth and they do not have sharp edges. Your fresh goods are perfectly protected and at the same time, they are transported in a way that is efficient and saves money.

Clever-Fresh-Box advance - Plus Points at a Glance!

- + up to 84 % volume reduction
- + special base and corner design for accommodating high loads and improved stackability
- + fitted with an ergonomic lift lock
- + particularly smooth surfaces in order to protect the goods
- + easy to clean and very easy to dry
- + optimum perforation for ventilating fruit and vegetables
- + integrated hooks in order to fasten cling film
- + grooves for fixing banding
- + made from PP-C (polypropylene copolymer)



Stable Corner Design



Lift Lock



Optionally with In-mould Label

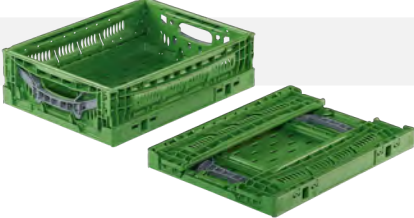


Smooth Surfaces

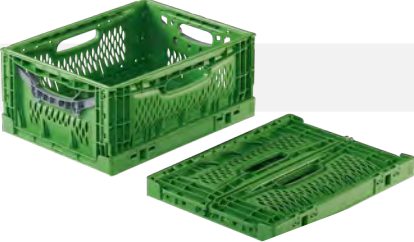


400 x 300 mm

Outer Dimensions (in mm)	Collapsed Height (in mm)	Volume	Weight	Article No.
Inner Dimensions (in mm)				

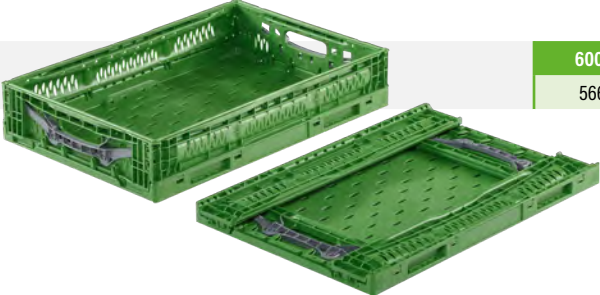


400 x 300 x 120	36	11 l	830 g	1254.384600
367 x 268 x 108				




400 x 300 x 180	36	17 l	1020 g	1854.384600
367 x 268 x 166				

600 x 400 mm



600 x 400 x 120	36	23 l	1,450 g	1256.384000
566 x 367 x 106				



600 x 400 x 180	36	35 l	1,780 g	1856.384000
566 x 367 x 165				



600 x 400 x 230	36	45 l	1,980 g	2356.384000
566 x 367 x 217				



Outer Dimensions (in mm)	Collapsed Height (in mm)	Volume	Weight	Article No.
Inner Dimensions (in mm)				

Utilysys®



600 x 400 x 232	44	44,3 l	2,030 g	2308.013300
567 x 367 x 222				



600 x 400 x 235	44	44 l	1,920 g	2309.013300
567 x 367 x 92/222				



Outer Dimensions (in mm)	Collapsed Height (in mm)	Volume	Weight	Article No.
Inner Dimensions (in mm)				



600 x 400 x 240	60	42 l	1,910 g	2305.010000
565 x 365 x 225				

Clever-Fresh-Box extra high



600 x 400 x 410	83	79 l	3,050 g	4148.014300
566 x 367 x 396				



bekuplast GmbH · Industriestraße 1 · 49824 Ringe · Germany
+49 5944 9333-0 · info@bekuplast.com · www.bekuplast.com